



**20-25 Watt, Single Output
AC/DC Modules, PCB mounting
Series DVC25-ME**



Features

- Universal Input Range 90 – 264Vac
- Size 53,10 x 30,30 (mm)
- Meets EN55032 Class B and CISPR/FCC B
- Meets UL62368-1, IEC62368-1
- Meets EN61558 (60335)
- Safety Approved UL60950-1
- Continuous Short Circuit Protection
- Over Voltage Protection
- High Efficiency 87%
- Peak Load (2 times of rated current)
- No Load Input Power < 0,1W
- Class II

MODEL NUMBER	OUTPUT VOLTAGE [VDC]	OUTPUT CURRENT [mA] MAX.	OUTPUT CURRENT [A] MIN.	RIPPLE & NOISE [mV] Note 2	VOLTAGE ACCURACY [%] Note 1	EFF. [%]
DVC25-05S4000ME	5	4000	0	50	±2	81
DVC25-12S2100ME	12	2100	0	120	±1	84
DVC25-15S1670ME	15	1670	0	150	±1	85
DVC25-24S1050ME	24	1050	0	240	±1	86
DVC25-36S700ME	36	700	0	360	±1	87
DVC25-48S520ME	48	520	0	480	±1	87

NOTE: for Peak Load Function, please add **-PL**, for example DVC25-24S1050ME-PL
Other outputs on request

INPUT CHARACTERISTICS:

Input Voltage Range.....	90-264Vac
Input Frequency.....	47 to 63Hz
Inrush Current (Cold start @ 25°C).....	60A Max. @ 240Vac
Leakage Current.....	0,25 mA max. @ 264Vac
Input Current.....	0,7A max.

OUTPUT CHARACTERISTICS:

Voltage Accuracy.....	see table
Line Regulation (Note 3).....	±1,0% max.
Load Regulation (Note 4).....	±1,0% max.
Hold-up Time.....	8mS typ @ 115Vac
Short Circuit Protection.....	Hiccup Mode (Auto Recovery)
Over Voltage Protection.....	TVS Component to Clamp
Temperature Coefficient.....	±0,05%/°C
Start-up Time.....	<3,0s

GENERAL CHARACTERISTICS:

Efficiency.....	see table
Isolation Input/Output.....	3000VAC
Operating Temperature Range.....	-30°C to +70°C
Derating above.....	50°C to 70°C
Storage Temperature Range.....	-40°C to +85°C
Cooling.....	Natural Convection
Humidity.....	93% RH max. non condensing
Switching Frequency.....	65KHz typ.
MTBF (MIL-STD-217F, GB25°C/115Vac).....	300K hrs min.
Altitude.....	5000m (UL62368-1), 3000m (IEC61558-1)

SAFETY & EMISSION:

Emission.....	EN55032 Class B, FCC Part 15 Class B EN61000-3-2, EN61000-6-3
Immunity.....	EN55024, EN61204-3, EN61000-6-1
Safety Approval meets.....	UL62368-1, IEC62368-1
Safety Approved.....	UL60950-1

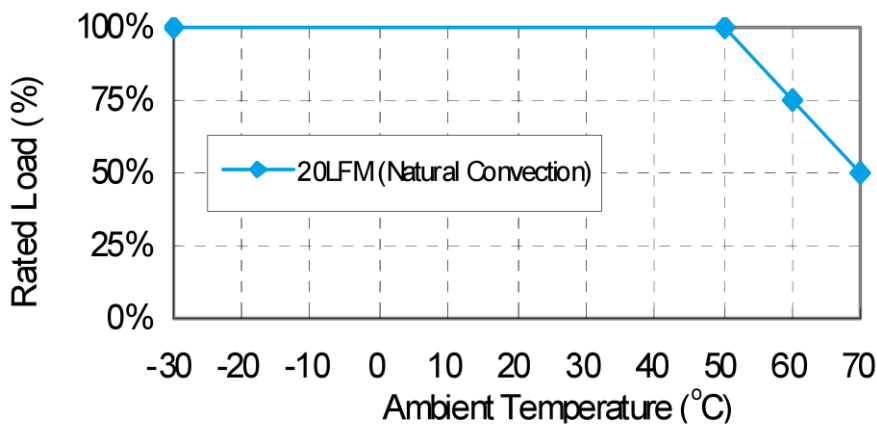
MECHANICAL SPECIFICATIONS:

Dimensions.....	53,10 x 30,30 x 24,80 (mm)
Weight.....	105 g

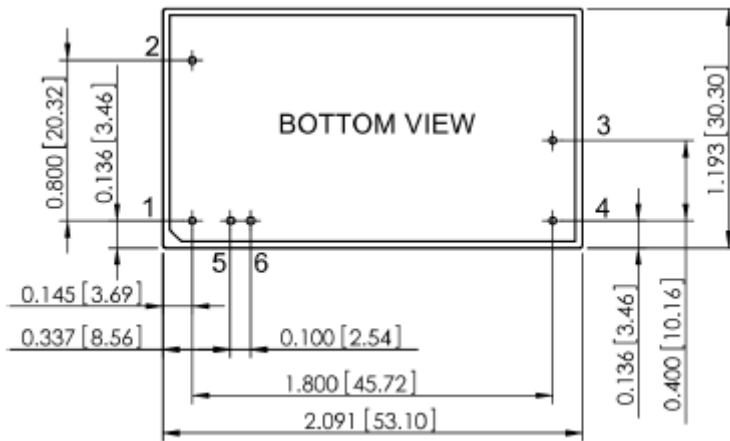
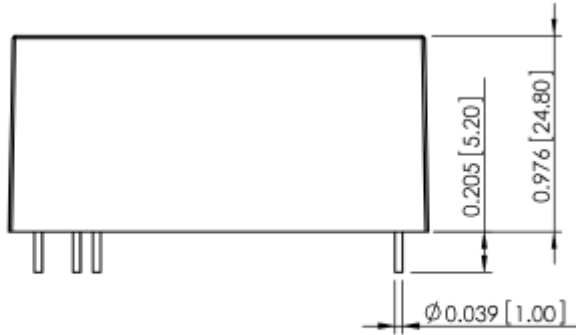
NOTE:

1. Voltage Accuracy is set of 100% rated load.
2. Add a 0,1µF ceramic capacitor and a 10 µF E.L. capacitor to output for Ripple & Noise Measuring @ 20MHz BW.
3. Line Regulation is measured from High Line to Low Line with Full Load.
4. Load Regulation is measured from full to 10% load.
5. PL (Peak Load Function) Lasting time <10seconds with a maximum 10% duty cycle and must add external 33µ/400V capacitor to BC+ & BC-
Typical at 25°C, nominal line and 75% load, unless otherwise specified.

DERATING CURVE



Unit: mm [inch]



CONNECTION	
Pin	Function
1	ACL
2	ACN
3	+Vout
4	-Vout
5	BC+ (Optional)
6	BC- (Optional)