



**30 Watt (Peak Load 40Watt)
AC/DC – Module
Cable-Cable
Series DVC24-U / DVC30-U**



Features

- Output Peak Load 40Watt
- Wide Input Range 90 – 264 VAC
- Fully encapsulated plastic housing
- Size 50,2 x 48,0 x 24,5 (mm) Height
- Dust and Waterproof to IP67
- Reinforced Insulation
- Meet Safety UL/CSA62368-1
- Approved Safety IEC/EN62368-1 & EN60335-1 (Household and similar electrical appliances)
- Isolation Input / Output 3K VAC
- Short Circuit Protection Continuous
- No load power consumption <0,1W
- Easy installation into standard flush boxes
- Over Voltage Category (OVC) II
- Class II Construction
- EN55032 Class B & CISPR/FCC Class B / CE

MODEL NUMBER	INPUT VOLTAGE [VAC]	OUTPUT VOLTAGE [VDC]	OUTPUT CURRENT [mA]	MAX. OUTPUT POWER CONTINUOUS [W]	MAX. OUTPUT POWER PEAK LOAD [W] (NOTE 1)	CASE
DVC24-12S2000U	90 – 264	12	2500	30	40	U
DVC30-24S1250U	90 – 264	24	1250	30	40	U

Note: 1. Peak Load 40W less than 2 seconds, twice recipe sequence, with a time of 70 seconds in between.

Technical data typical at 25°C , nominal line and 75% load, unless otherwise specified.

INPUT SPECIFICATIONS:

Input Voltage.....	Range	90 to 264 VAC
Input Frequency.....	47 to 63 Hz
Inrush Current.....	Cold Start 25°C	60A max. at 230 VAC
Input Current.....	0,8A max.
Leakage Current.....	@ 264VAC	0,25mA max.
No load power consumption	<0,1W

OUTPUT SPECIFICATIONS:

Output Tolerance.....	(at full load)	±2,0%
Efficiency	(at 230VAC and 100% Load 25°C)	86,5% typ
Ripple and Noise (Note 1).....	Vo 12V	120mV typ.
	Vo 24V	240mV typ.
Line Regulation.....	(Measured from high line to low line with full load)	±1,0%
Load Regulation	(Measured from 10% to 100% load)	±2,0%
Holdup Time	10ms typ. at 115 Vac
Short Circuit Protection	Continuous, Hiccup Mode (Auto Recover)
Over Voltage Protection	YES
Over Temperature Protection	Vo 12V	Start above 30W – 32W typ.
	Vo 24V	Start above 29,4W – 32W typ.

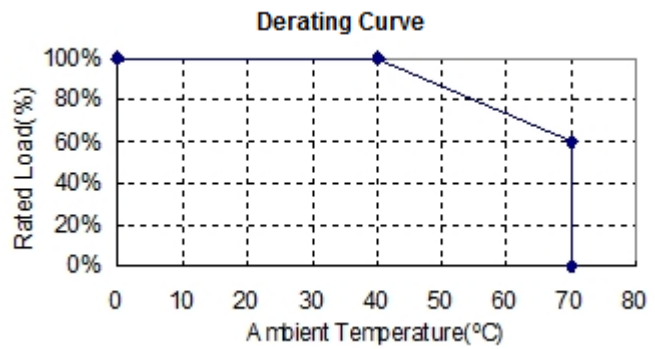
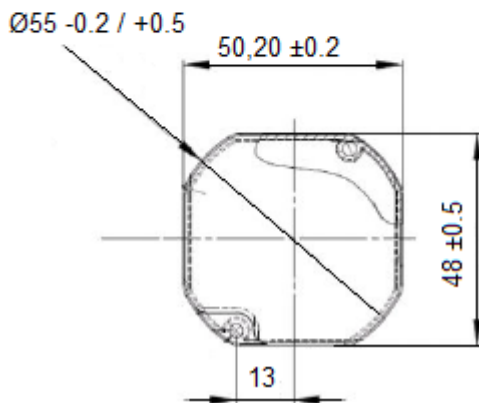
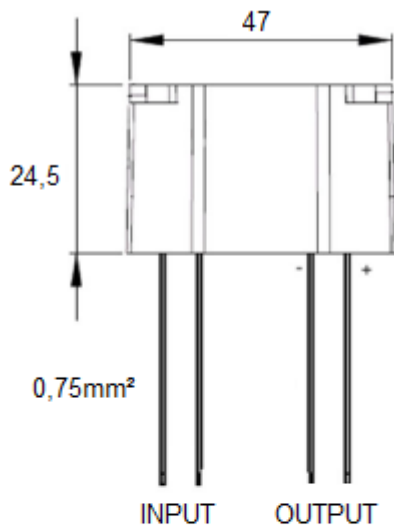
GENERAL SPECIFICATIONS:

Isolation Voltage I/O.....	3000 VAC
Operating Temperature Range	0°C to +70°C
Derating above	see derating curve
Storage Temperature Range	-30°C to +80°C
Interference Emission meets	EN55032 Class B and CISPR/FCC Class B	
	EN61000-6-3, EN61000-6-4, EN61204-3, EN61000-3-2, EN61000-3-3	
Interference Immunity	EN55035, EN61000-6-1, EN61000-6-2 / EN61000-4-2, -3, -4, -5, -6, -11	
Safety	Approved Vo 12V	IEC/EN62368-1
	Meet Vo 12V	CSA/UL62368-1
	Meet Vo 24V	CSA/UL/IEC/EN62368-1
Household	Approved Vo 12V	EN60335-1
	Meet Vo 24V	EN60335-1
Protection Construction Class.....	Class II / Reinforced Insulation
Over Voltage Category.....	OVC II
Dust and Waterproof	IP67
Connection.....	Cable with stranded wire
Dimensions	50,20 x 48 x 24,50 mm
Case Material	Plastic (UL94-V0)
Weight.....	100g typ.

Note: 1. Add a 0,1µF ceramic capacitor and a 10µF E.L. Noise measuring at 20MHz BW.

Mechanical Dimensions DVC24-U / DVC30-U

All Dimensions in mm, Tolerance: $\pm 0,5$ mm



	Wire color	Kabelfarbe	Label:
INPUT: N	Blue	Blau	Bl
INPUT: L	Brown	Braun	Bn
OUTPUT +	Red	Rot	Rt
OUTPUT -	Black	Schwarz	sw