



**20 Watt Open Frame
AC/DC Modules
Series DVC21**



Features

- Universal Input Range 90 – 264Vac
- Miniature Size, Low Profile 0.8"
- Industry-Standard Pin Out
- Continuous Short Circuit Protection
- Option for On-Board, Connector, Screw Terminal or Encapsulated Type
- meet UL60601-1/IEC60601-1/EN60601-1 Medical
- 2 MOOP
- Over Voltage Protection
- High Efficiency 85%
- No Load Input Power < 0,3W
- Leakage Current < 0,1mA

MODEL NUMBER	OUTPUT VOLTAGE [VDC]	OUTPUT CURRENT MAX. [mA]	OUTPUT CURRENT MIN. [A]	RIPPLE & NOISE [mVpp]	VOLTAGE ACCURACY [%]	EFF. [%]
DVC21S033	3,3	4400	0	50	±1	75
DVC21S050	5	4000	0	50	±1	80
DVC21S090	9	2300	0	90	±1	81
DVC21S120	12	1700	0	100	±1	83
DVC21S150	15	1400	0	100	±1	84
DVC21S240	24	900	0	100	±1	85

Note: Please add **-P** for Pin Version, **-S** for Screw Version or **-T** for Terminal Version!
For example DVC21S050-P

INPUT CHARACTERISTICS:

Input Voltage Range.....90-264Vac
 Inrush Current (Cold start @ 25°C)40A Max. @ 230Vac
 Input Frequency.....47 to 63Hz
 Leakage Current.....0,1 mA max.
 Input Current.....0,3 to 0,5A

GENERAL CHARACTERISTICS:

Efficiencysee table
 Switching Frequency 100KHz typ.
 Operating Temperature Range-25°C to +70°C
 Deratingsee curve
 Storage Temperature Range-40°C to +85°C
 Cooling..... Natural Convection
 Humidity93% RH max. non condensing
 MTBF (MIL-STD-217F, GB).....650K hrs min.
 Isolation Voltage (Input/Output)5656 Vdc

OUTPUT CHARACTERISTICS:

Voltage Accuracy±1,0% max.
 Line Regulation (note3)±0,5% max.
 Load Regulation (note4)±1,0% max.
 Hold-up Time Note1 10mS typ @ 115Vac
 Short Circuit ProtectionContinuous
 Over Voltage Protection(TVS) ... 115%-140% of nominal output volt.

SAFETY & EMISSION:

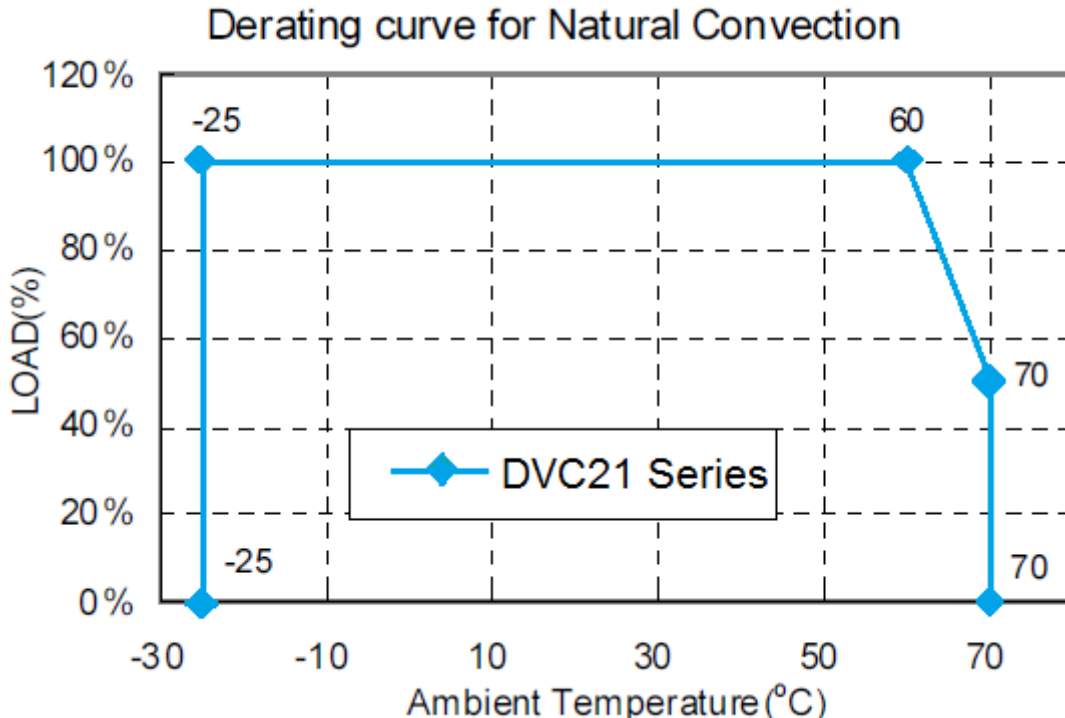
Emission / Immunity EN55022 Class B, EN61000-6-3
 EN61000-3-2, EN61000-3-3, EN55024
 EN61204-3, EN61000-6-1
 Meet Safety ApprovalsUL60950-1, IEC60950-1, EN60950-1

MECHANICAL SPECIFICATIONS:

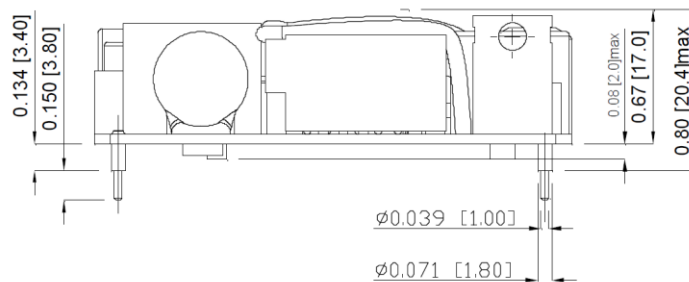
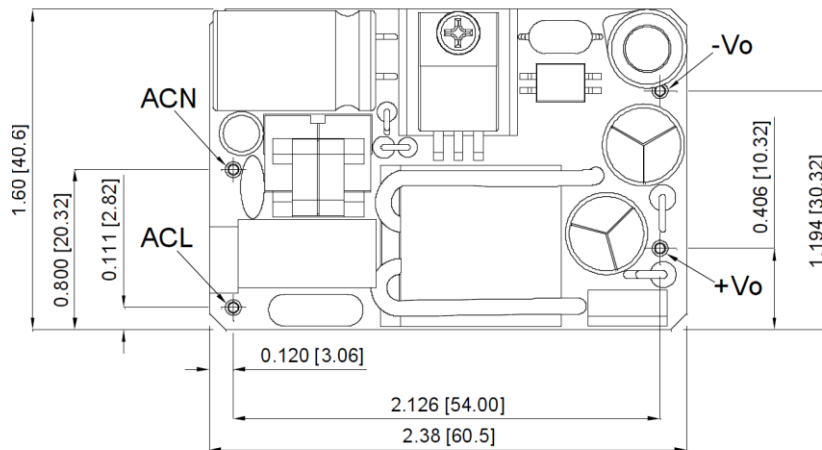
Dimensions 60,5x40,6x20,4 (mm)
 DVC21Sxxx-T: 76,2x40,6x19,5 (mm)
 DVC21Sxxx-S: 76,2x40,6x19,5 (mm)
 Weight..... 50 g
 DVC21Sxxx-T, -S: 55 g

NOTE:

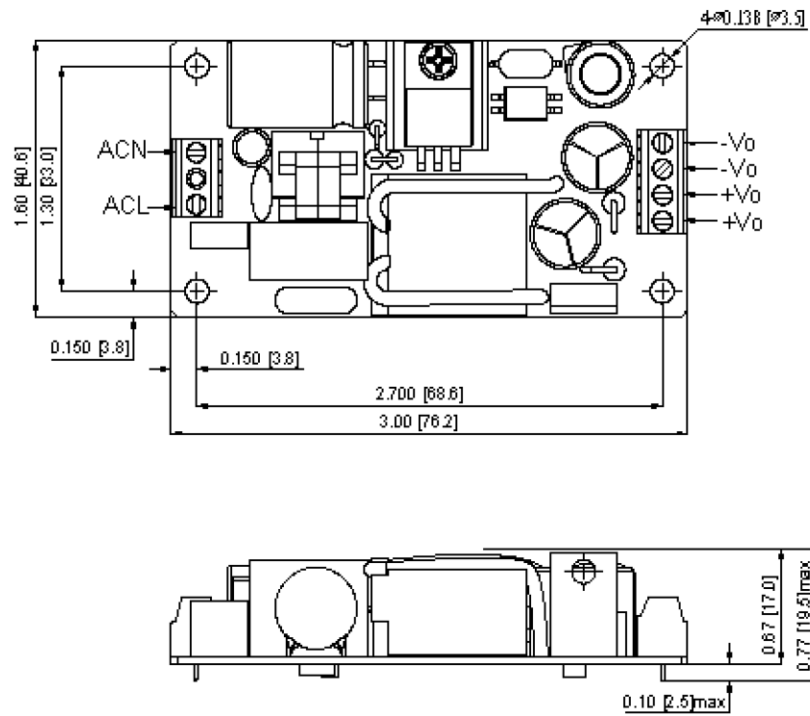
1. Voltage Accuracy is set of 100% rated load.
2. Add a 0,1µF ceramic capacitor and a 10 µF E.L. capacitor to output for Ripple & Noise Measuring @ 20MHz BW.
3. Line Regulation is measured from High Line to Low Line with Full Load.
4. Load Regulation is measured from 10% to 100% load.
5. -T Version Connection: JST B3P-VH / B4P-VH or equivalent
 -S Version Connection: DECA MB332-381A or equivalent
6. Typical at 25°C, nominal line and 75% load, unless otherwise specified.



All Dimensions are in Inches (mm)
 Tolerances: Inches x.xx±0.02 (x.xxx±0.01)
 mm x.x±0.5 (x.xx±0.25)



All Dimensions are in Inches (mm)
 Tolerances: Inches x.xx±0.02 (x.xxx±0.01)
 mm x.x±0.5 (x.xx±0.25)



Model DVC21Sxxx-T (Terminal Version)

All Dimensions are in Inches (mm)
 Tolerances: Inches x.xx±0.02 (x.xxx±0.01)
 mm x.x±0.5 (x.xx±0.25)

