



150 Watt Open Frame AC/DC Modules With Active PFC Series DVC150



Features

- Universal Input: 90 – 264Vac
- 120 Watt with Natural Convection
- Efficiency at 94% Typical
- No Load Power Consumption <150mW
- Meets EN55032 Class B
- Meets Household IEC/EN60335-1 / Medical IEC/EN60601-1
- Approved IEC/EN/UL62368
- Active PFC Function
- 150 Watt with Base Cooling
- Continuous Short Circuit Protection
- Meets EMI Safety Class I & II
- Operating Altitude 5000m
- Dimension 101,6 x 50,8 (mm)

MODEL NUMBER	OUTPUT VOLTAGE [VDC]	OUTPUT CURRENT NATURAL CONV. [A]	OUTPUT CURRENT COOLING CONV. [A]	VOLTAGE ADJ. RANGE [%]	RIPPLE & NOISE [%] NOTE 1	VOLTAGE ACCURACY [%] NOTE 2	LINE REG. [%] NOTE 3	LOAD REG. [%] NOTE 4	EFF. TYP. [%] NOTE 5
DVC150S12	12	10	12,5	±8	1	±1	±0,5	±1	93
DVC150S24	24	5,0	6,25	±8	1	±1	±0,5	±1	94
DVC150S28	28	4,28	5,35	±8	1	±1	±0,5	±1	94
DVC150S36	36	3,33	4,16	±8	1	±1	±0,5	±1	94
DVC150S48	48	2,5	3,12	±8	1	±1	±0,5	±1	94

Note:

1. Add a 0.1uF ceramic capacitor and a 10uF E.L. capacitor to output for ripple& noise measuring @20MHz BW.
2. Voltage accuracy is set at full load.
3. Line regulation is measured from 100Vac to 240Vac with full load.
4. Load regulation is measured from 10% to 100% full load.
5. Typical efficiency at 230 VAC and full load at 25°C.
6. -B: Base Cooling (for Example: DVC150S12-B)

Technische Änderungen vorbehalten / Specifications are subject to change without notice

INPUT CHARACTERISTICS:

Input Voltage Range.....90-264Vac
 Input Frequency.....47 to 63Hz
 Inrush Current.....Cold start @ 25°C 100A max. @ 240Vac
 Leakage Current.....100µA max.

OUTPUT CHARACTERISTICS:

Hold-up Time 25mS typ. 20ms min. @ 115Vac
 Short Circuit ProtectionHiccup Mode (Auto Recover)
 Over Voltage Protection Latch
 Temperature Coefficient±0,05%/°C

GENERAL SPECIFICATIONS:

Isolation Voltage (Input/Output)3000 VAC
 Operating Temperature Range-30°C to +80°C
 Derating-40°C can be Start-Up
 Storage Temperature Range-40°C to +85°C
 Humidity93% RH max. non condensing
 Switching Frequency 115KHz typ.
 MTBF (MIL-HDBK-217F,GB,at25°C/115VAC)..... 350K hrs min
 Altitude..... 5000m

MECHANICAL SPECIFICATIONS:

Dimensions 101,6 x 50,8 x 32,6 (mm)
 -B (Base Cooling)... 116,8 x 50,8 x 34,6 (mm)
 Weight..... 200g typ.
 -B (Base Cooling)..... 240g typ.

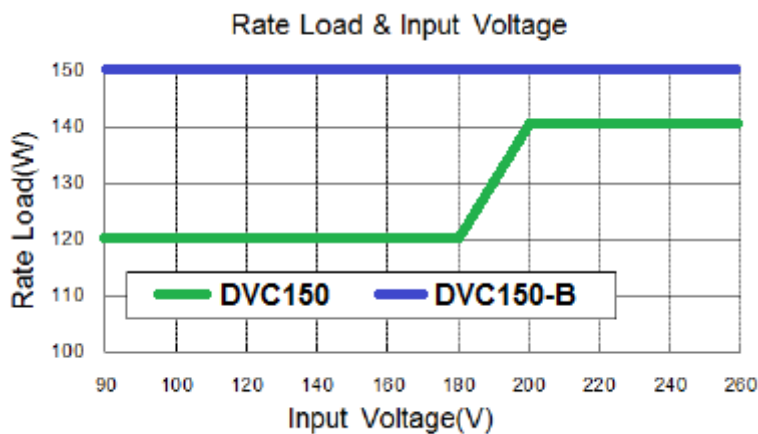
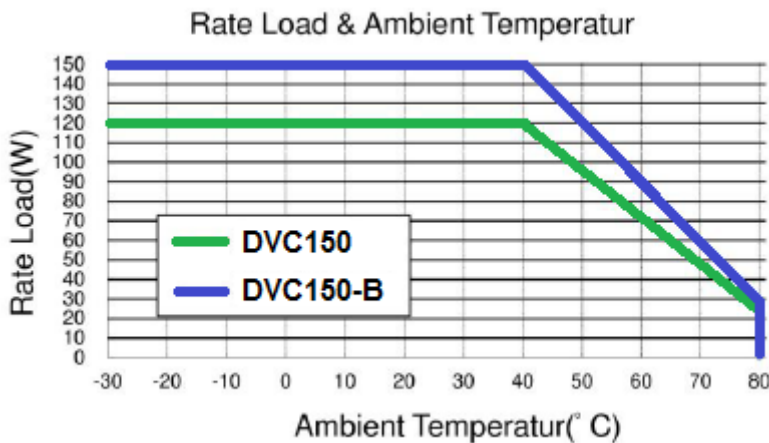
SAFETY & EMC:

Emission & Immunity.. EN55032 Class B, FCC Part 15 B (NOTE 7)
 EN61000-3-2, EN61000-3-3, EN61000-6-3, EN61000-6-4
 Immunity EN55024, EN61204-3, EN61000-6-1, EN61000-6-2
 Safety Approved Class I & Class II, IEC/EN/UL62368-1
 Safety Meets..... Medical IEC/EN60601 / IEC/EN60335

NOTE:

- Standard input and output connectors (CN1 and CN2) wafer with TAIWAN KING PIN TERMINAL PVHI series and mate with JST housing VHR series or equivalent.
- Class I: Radiation & Conduction Class B ; Class II: Radiation Class A ; Conduction Class B

Derating Curve

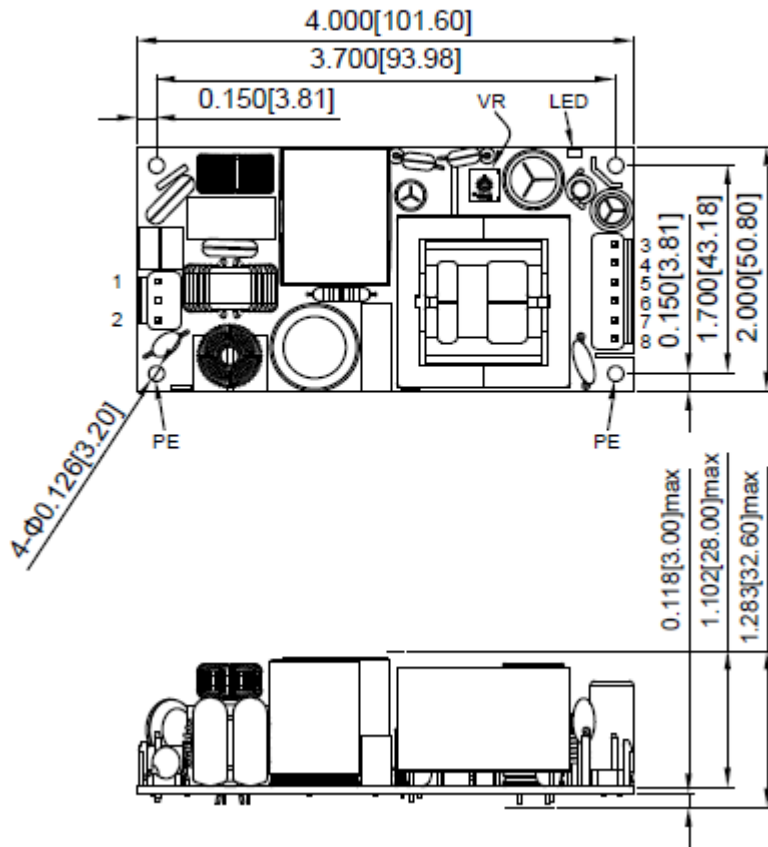


MECHANICAL SPECIFICATION

Series DVC150

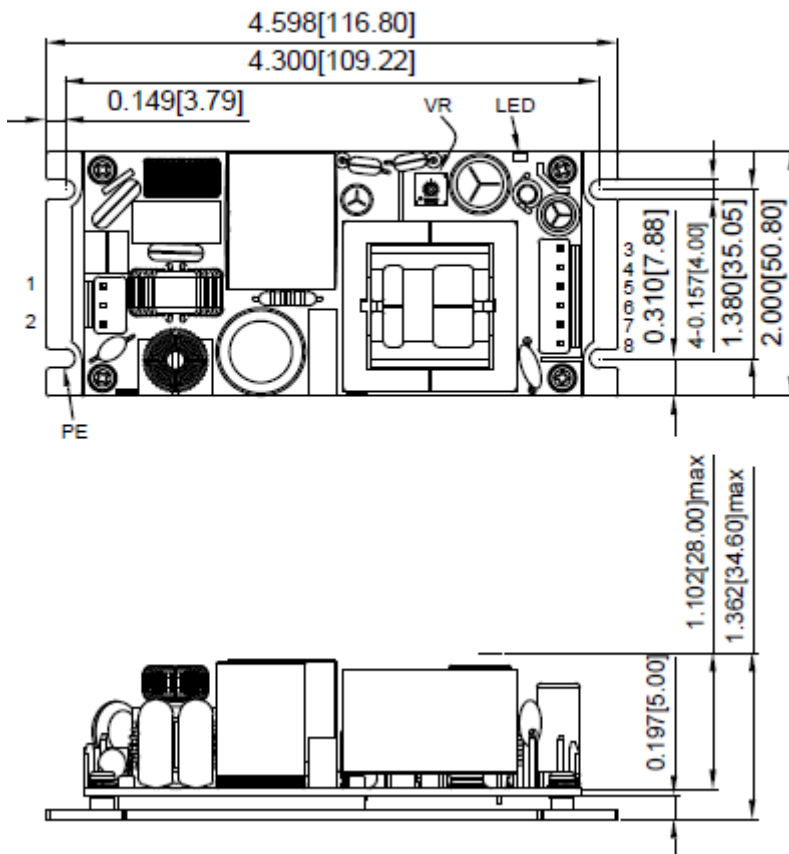
All Dimensions are in Inches (mm), Tolerance: Inches: x.xxx = ± 0.02 , Millimeters: x.xx = ± 0.5

DVC150Sxx



PIN CONNECTION	
Pin	Function
1	ACL
2	ACN
3	+Vout
4	+Vout
5	+Vout
6	-Vout
7	-Vout
8	-Vout

DVC150Sxx-B



Technische Änderungen vorbehalten / Specifications are subject to change without notice