



12 Watt, Regulated AC/DC Open Frame Series DVC12



Features

- Universal Input Range 90 – 264Vac
- Size Pin 38,10 x 25,40 x 19,40 (mm)
- Size Terminal 63,50 x 25,40 x 17,30 (mm)
- Class II
- Meets UL62368-1, IEC62368-1
- Meets EN61558 (60335)
- Over Voltage Protection
- High Efficiency 83%
- No Load Input Power < 0,1W
- Continuous Short Circuit Protection
- Meets EN55032 Class B / CIRSS/FCC Class B

MODEL NUMBER		OUTPUT VOLTAGE [VDC]	OUTPUT CURRENT [mA] MAX.	OUTPUT CURRENT [A] MIN.	RIPPLE & NOISE [mV] (Note 2)	VOLTAGE ACCURACY [%] (Note 1)	EFF. [%]	Output Rated POWER [W]
PIN	TERMINAL							
DVC12S050-P	DVC12S050	5	2000	0	100	±2	79	10
DVC12S090-P	DVC12S090	9	1340	0	100	±2	83	12
DVC12S120-P	DVC12S120	12	1000	0	120	±2	83	12
DVC12S150-P	DVC12S150	15	800	0	150	±2	83	12
DVC12S240-P	DVC12S240	24	500	0	240	±2	83	12

Note: Other outputs on request.

INPUT CHARACTERISTICS:

Input Voltage Range.....	90-264Vac
Inrush Current (Cold start @ 25°C).....	50A Max. @ 230Vac
Input Frequency	47 to 63Hz
Leakage Current (at 264Vac)	0,25 mA max.
Input Current	0,4A max.

GENERAL CHARACTERISTICS:

Efficiency.....	see table
Switching Frequency	65KHz typ.
Isolation Input/Output	3000VAC
Operating Temperature Range.....	-30°C to +70°C
Derating above.....	50°C (see curve)
Storage Temperature Range	-40°C to +85°C
Cooling.....	Natural Convection
Humidity	93% RH max. non condensing
MTBF (MIL-STD-217F, GB, 25°C/115Vac).....	300K hrs min.
Altitude.....	3000m

OUTPUT CHARACTERISTICS:

Voltage Accuracy	±2,0% max.
Line Regulation (Note 3).....	±1,0% max.
Load Regulation (Note 4)	±1,0% max.
Hold-up Time Note1	8mS typ @ 115Vac
Temperature Coefficient.....	±0,05%/°C
Short Circuit Protection.....	Continuous, Auto Recovery
Over Voltage Protection	Hiccup Mode, Auto Recovery
Start-up Time	<3,0 sec.

SAFETY & EMISSION:

Emission and Immunity	EN55032 Class B, FCC Part 15 Class B EN61000-3-2, EN6100-3-3, EN55024, EN61204-3, EN61000-6-1
Safety Approval.....	IEC60950-1, UL60950-1

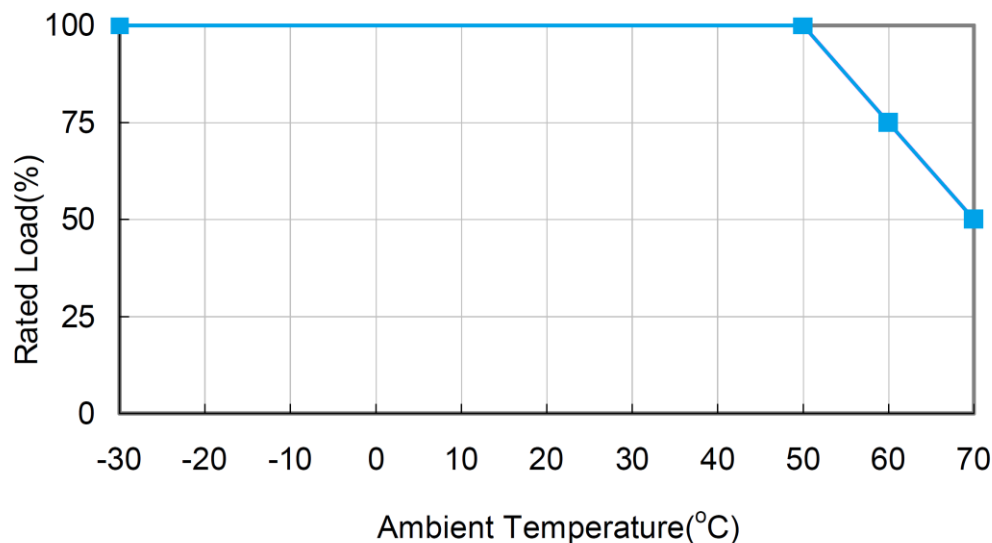
MECHANICAL SPECIFICATIONS:

Dimensions (Pin Version).....	38,10 x 25,40 x 19,40 mm)
Dimensions (Terminal Connection).....	63,50 x 25,40 x 17,30 mm)
Weight.....	TBD

NOTE:

1. Voltage Accuracy is set of 100% rated load.
2. Add a 0,1µF ceramic capacitor and a 10 µF E.L. capacitor to output for Ripple & Noise Measuring @ 20MHz BW.
3. Line Regulation is measured from High Line to Low Line with Full Load.
4. Load Regulation is measured from full to 10% load.
5. Terminal Version wafer with JST B3B-XH / B4B-XH and mate with JST housing XH series or equivalent..
6. Typical at 25°C, nominal line and 75% load, unless otherwise specified.

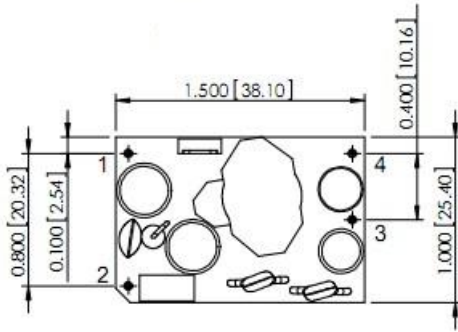
Derating Curve



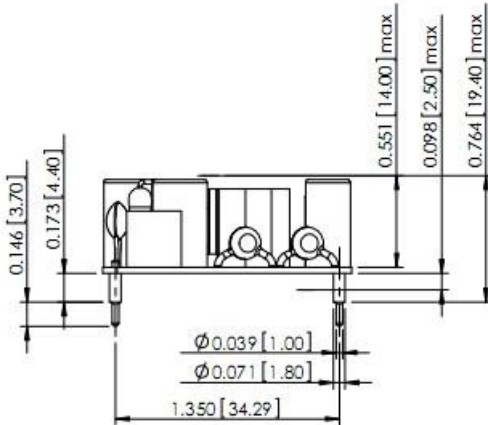
Unit: mm [inch]

Tolerance: Inches: x.xx=±0.02, x.xxx=±0.010

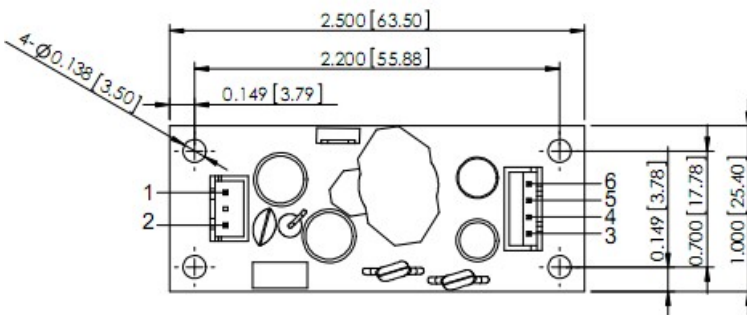
Millimeters: x.x=±0.5, x.xx=±0.25



CONNECTION PIN Model	
Pin	Function
1	ACN
2	ACL
3	-Vout
4	+Vout



Mechanical Specification (Terminal Version)



CONNECTION TERMINAL Model	
Pin	Function
1	ACN
2	ACL
3	-Vout
4	-Vout
5	+Vout
6	+Vout

