



6 Watt, Regulated AC/DC Open Frame Series DVC06



Features

- Universal Input Range 90 – 264Vac
- Size 39,5 x 19,4 x 18,3 (mm)
- No Load Input Power < 75mW
- Approved UL62368-1, IEC62368-1, EN62368-1
- Meet EN61558 (60335)
- High Efficiency 81%
- Continuous Short Circuit Protection
- Over Voltage Protection
- Class II
- EN55032 Class B / CIRSS/FCC Class B

MODEL NUMBER		OUTPUT VOLTAGE [VDC]	OUTPUT CURRENT [mA] MAX.	OUTPUT CURRENT [A] MIN.	RIPPLE & NOISE [mV p-p] (Note 2)	VOLTAGE ACCURACY [%] (Note 1)	EFF. [%]	LOAD REGULATION [%] (Note 3)
PIN	TERMINAL							
DVC06S3,3-P	DVC06S3,3	3,3	1500	0	100	±6	73	±6
DVC06S05-P	DVC06S05	5	1200	0	100	±5	78	±5
DVC06S09-P	DVC06S09	9	670	0	100	±5	80	±5
DVC06S12-P	DVC06S12	12	500	0	120	±3	81	±3
DVC06S15-P	DVC06S15	15	400	0	150	±3	81	±3
DVC06S24-P	DVC06S24	24	250	0	240	±3	81	±3

Note:

1. Voltage Accuracy is set of 100% rated load.
2. Add a 0,1µF ceramic capacitor and a 10 µF E.L. capacitor to output for Ripple & Noise Measuring @ 20MHz BW.
3. Load Regulation is measured from 10% to 100% load.
4. Terminal Version wafer with JST B3B-XH / B4B-XH and mate with JST housing XH series or equivalent.

INPUT CHARACTERISTICS:

Input Voltage Range.....	90-264Vac
Input Frequency.....	47 to 63Hz
Inrush Current (Cold start @ 25°C).....	90A Max. @ 240Vac
Leakage Current (@ 264Vac).....	0,25 mA max.
Input Current.....	0,25A max.

OUTPUT CHARACTERISTICS:

Line Regulation (Note 4).....	±1,0% max.
Hold-up Time Note1.....	12mS typ @ 115Vac
Temperature Coefficient.....	±0,05%/°C
Short Circuit Protection.....	Hiccup Mode, Auto Recovery

GENERAL CHARACTERISTICS:

Efficiency.....	see table
Isolation Voltage Input/Output.....	3000 VAC
Operating Temperature Range.....	-40°C to +70°C
Derating.....	see curve
Storage Temperature Range.....	-40°C to +85°C
Cooling.....	Natural Convection
Humidity.....	93% RH max. non condensing
Switching Frequency.....	30-70KHz typ.
MTBF (MIL-STD-217F, GB, 25°C/115Vac).....	610K hrs min.
Altitude.....	5000m

SAFETY & EMISSION:

Emission and Immunity.....	EN55032 Class B, FCC Part 15 Class B EN61000-3-2, EN6100-3-3 EN55024, EN61204-3, EN61000-6-1, -2, -3, -4 IEC62368-1, UL62368-1, EN62368-1
Safety approved.....	

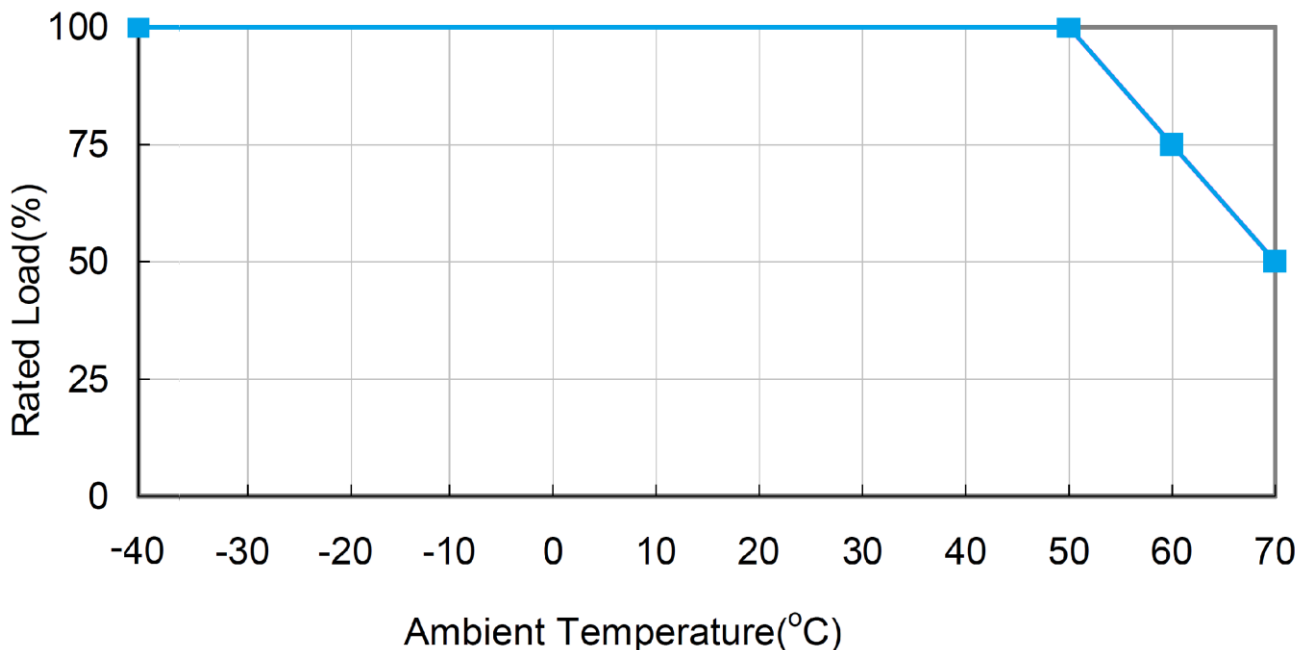
MECHANICAL SPECIFICATIONS:

Dimensions PIN.....	39,50 x 19,40 x 18,30 (mm)
Dimensions TERMINAL.....	49,53 x 18,00 x 17,50 (mm)
Weight.....	Pin: 11g; Terminal: 12g

NOTE:

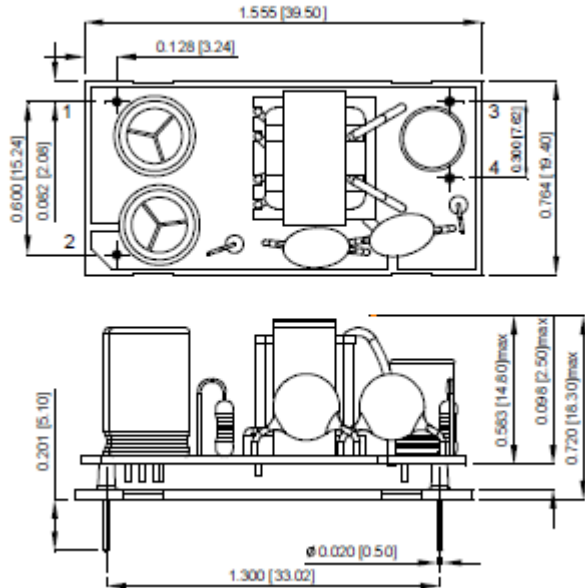
- 4. Line Regulation is measured from High Line to Low Line with Full Load.
- 5. Typical at 25 °C, nominal line and 75% load, unless otherwise specified.

Derating Curve



All Dimensions in inch [mm]
 Tolerance:
 Inches: x.xxx \pm 0.02
 Millimeters:x.xx \pm 0.5

DVC06Sxxx-P
 PIN



Pin	CONNECTION Function
1	ACN
2	ACL
3	+Vout
4	-Vout

DVC06Sxxx
 TERMINAL

