



49,5 to 75 Watt Wide Input DC/DC Converters Series DV754H



Features

- 49,5 - 75 Watt Isolated Output
- Regulated Outputs
- 4 : 1 Wide Input Range
- 300 KHz Switching Frequency
- Safety UL60950-1, EN60950-1, IEC60950-1
- CE Mark Meets 2004/108/EC
- Efficiency up to 85%
- Continuous Short Circuit Protection
- Five-Sided Metal Case
- Industry Standard Half-Brick Package
- UL60950-1 Approval (Except 28Vout)

MODEL NUMBER	INPUT VOLTAGE [VDC]	OUTPUT VOLTAGE [VDC]	OUTPUT CURRENT MAX. [A]	INPUT CURRENT NO LOAD [mA]	INPUT CURRENT MAX. LOAD [mA]	EFF. [%]	CAPACITOR LOAD MAX. [μ F]	CASE
DV9-36-3,3S15000H	9 - 36	3,3	15	50	2611	79	15000	H
DV9-36-05S15000H		5	15	50	3811	82	15000	
DV9-36-12S6250H		12	6,25	50	3765	83	6250	
DV9-36-15S5000H		15	5	50	3720	84	5000	
DV9-36-24S3120H		24	3,12	50	3720	84	3120	
DV9-36-28S2670H		28	2,67	50	3720	84	2670	
DV9-36-48S1560H		48	1,56	50	3811	82	1560	
DV18-75-3,3S15000H	18 - 75	3,3	15	50	1289	80	15000	H
DV18-75-05S15000H		5	15	50	1883	83	15000	
DV18-75-12S6250H		12	6,25	50	1860	84	6250	
DV18-75-15S5000H		15	5	50	1838	85	5000	
DV18-75-24S3120H		24	3,12	50	1835	85	3120	
DV18-75-28S2670H		28	2,67	50	1835	85	2670	
DV18-75-48S1560H		48	1,56	50	1860	84	1560	

NOTE: 1. Nominal Input Voltage 24Vdc & 48 Vdc

INPUT SPECIFICATIONS:

Input Voltage Range.....	24V.....	9-36V
	48V.....	18-75V
Input Surge Voltage (100ms max.).....	24V.....	50Vdc max.
	48V.....	100Vdc max.
Undervoltage lockout:		
24Vin power up.....		8,8V
24Vin power down.....		8V
48Vin power up.....		17V
48Vin power down.....		16V
Input Filter.....		Pi Type
Positive Logic Remote ON/OFF (Note 3):		
Logic Compatibility.....		Open Collector Ref. To -Input
Module ON.....		>3,5Vdc to 75Vdc or Open Circuit
Module OFF.....		< 0,8Vdc

OUTPUT SPECIFICATION:

Voltage Accuracy.....		±1,0%max.
Transient Response 25% Step Load Change.....		<500µ sec.
External Trim Adj. Range.....		±10%
Ripple and Noise, 20 MHz BW		
3,3V & 5V.....		40mV RMS / 100mV pk-pk max
12V & 15V.....		60mV RMS / 150mV pk-pk max
24V.....		100mV RMS / 240mV pk-pk max
28V.....		100mV RMS / 280mV pk-pk max
48V.....		200mV RMS / 480mV pk-pk max
Temperature Coefficient.....		±0,03%/°C max.
Short Circuit Protection.....		Continuous
Line Regulation (From High Line to Low Line).....		±0,2% max.
Load Regulation (From Full Load to Zero Load).....		±0,2% max.
Over Voltage Protection trip Range, % Vo nom.....		115-140%
Current Limit.....		110-160% Nominal Output
Start-up Time.....		5ms typ.

GENERAL SPECIFICATIONS:

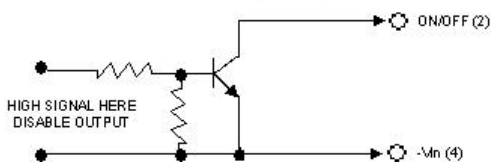
Efficiency.....		See Table
Isolation Voltage.....	Input/Output.....	1500 VDC min.
	Input/Case.....	1500 VDC min.
	Output/Case.....	1500 VDC min.
Isolation Resistance.....		107 Ohm min.
Isolation Capacitance.....		1000pF typ.
Switching Frequency.....		300KHz Typ.
Operating Case Temperature Range.....		-40°C to +100°C
Storage Temperature Range.....		-55°C to +105°C
Thermal Shutdown Case Temp.....		100°C Typ.
Humidity.....		95% RH max. Non condensing
MTBF (MIL-STD-217F,GB,25°C,Full Load).....		1000Khrs typ.
Dimensions.....		2,28 x 2,40 x 0,50 inches / (57,9 x 61,0 x 12,7 mm)
Weight.....		94 g
Case Material.....		Aluminum

NOTE:

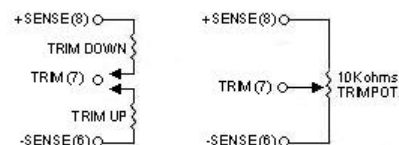
- Suffix "N" to the Model Number with Negative Logic Remote ON/OFF.
 - Suffix "N" to the Model Number with Negative Logic Remote ON/OFF:
- | | |
|-----------------|----------------------------------|
| Module ON..... | < 0,8Vdc |
| Module OFF..... | >3,5Vdc to 75Vdc or Open Circuit |
- Suffix "-C" to the Model Number with Clear Mounting Insert (3.2mm DIA)
 - Require a 47µF Aluminum Capacitor Connected between +Vout and -Vout for 48Vout models

All Specifications Typical at Nominal Line, Full Load and 25°C Unless Otherwise Noted

REMOTE ON/OFF



OUTPUT TRIM

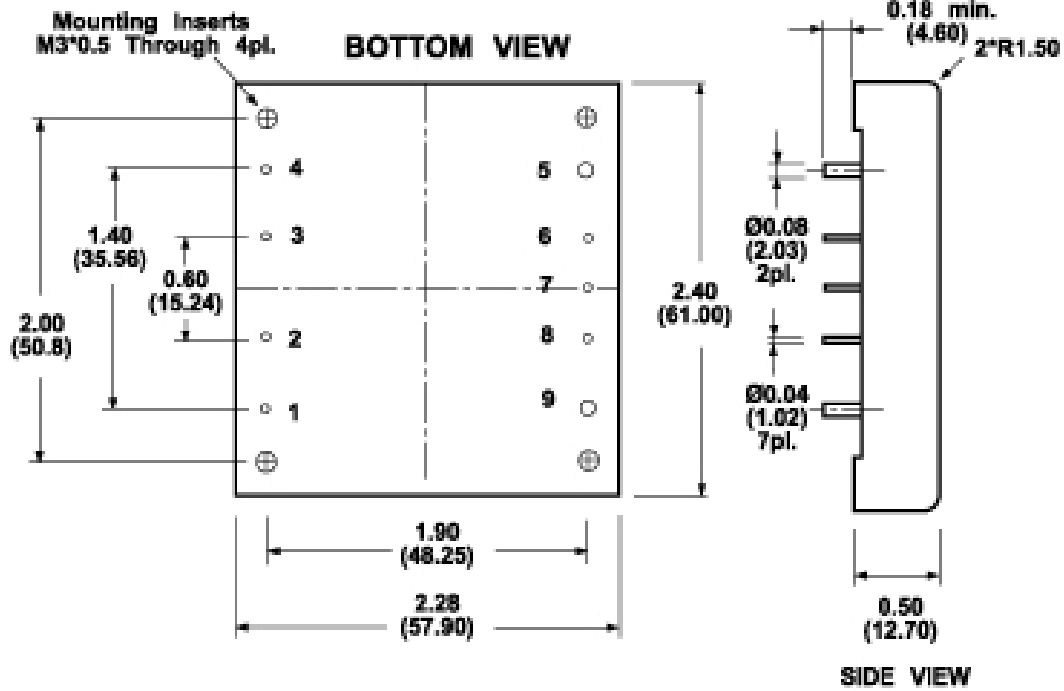


CASE H

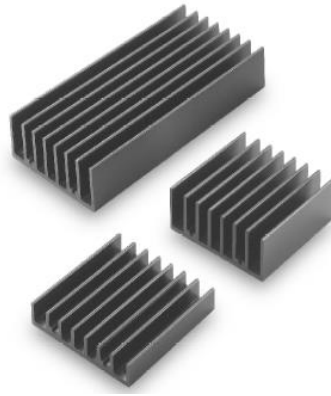
Series DV754H

All Dimensions in Inches (mm)

Tolerance	Inches	.xx±.02	.xxx±.010	Pin ±0.02
	Millimeters	.x±.5	.xx±.25	Pin ±0.5



PIN CONNECTION	
Pin	Function
1	+V Input
2	Remote ON/OFF
3	Case
4	-V Input
5	-V Output
6	-Sense
7	Trim
8	+Sense
9	+V Output



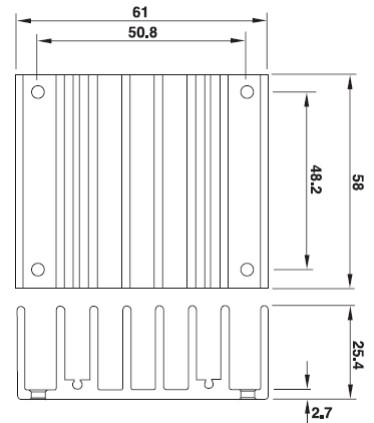
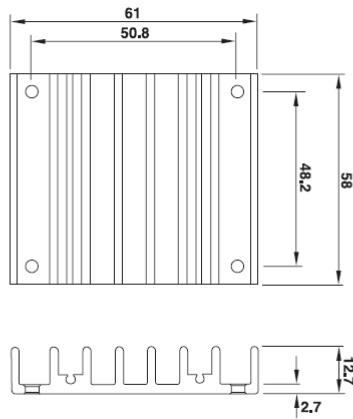
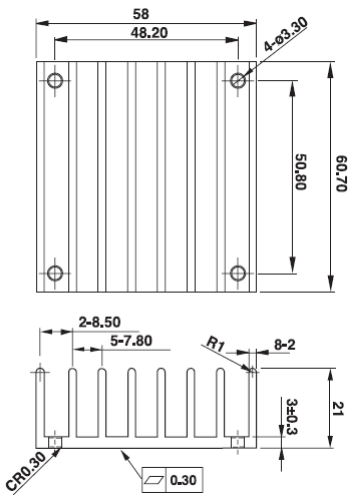
CASE H: HEAT SINK

Vertical Fins
Order No. 17.079.201
Model No. M-C308

Vertical Fins
Order No. 17.079.202
Model No. M-C091

Vertical Fins
Order No. 17.079.203
Model No. M-C092

all dimensions in mm

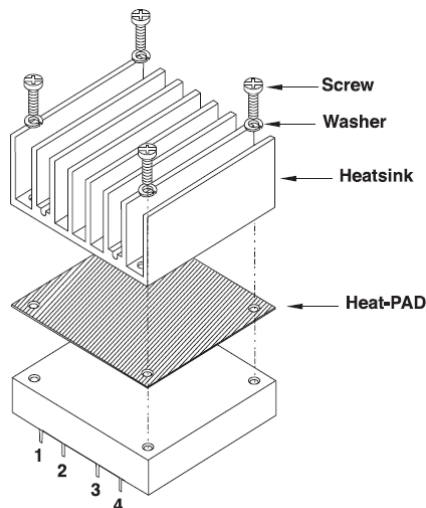


Rca: 3,9°C/W (typ.), At natural convection
1,74°C/W (typ.), At 100LFM
1,33°C/W (typ.), At 200LFM
1,12°C/W (typ.), At 300LFM
0,97°C/W (typ.), At 400LFM

Rca: 4,7°C/W (typ.), At natural convection
2,89°C/W (typ.), At 100LFM
2,30°C/W (typ.), At 200LFM
1,88°C/W (typ.), At 300LFM
1,59°C/W (typ.), At 400LFM

Rca: 3°C/W (typ.), At natural convection
1,44°C/W (typ.), At 100LFM
1,17°C/W (typ.), At 200LFM
1,04°C/W (typ.), At 300LFM
0,95°C/W (typ.), At 400LFM

Heat Sink Assembly
example



Screw SMP+SW M3x8L

Thermal pad SZ56,9x60x0,25