



**3 Watt, 8:1 Wide Input
DC/DC Converter
Series DV3M-S8-8-H**



Features

- 3 Watt Isolated Output
- Regulated Outputs
- 8:1 Wide Input Range
- SIP 8 Package
- Operating Temperature Range -40°C to 85°C
- Meet EN62368
- Efficiency up to 79%
- Isolation I/O 3000 VDC
- Continuous Short Circuit Protection
- Input Under-Voltage & Over-Current Protection
- Capacitive Input Filter
- Industry Standard Pinout

MODEL NUMBER	INPUT VOLTAGE [VDC]	OUTPUT VOLTAGE [VDC]	OUTPUT CURRENT Max. [mA]	EFFICIENCY Typ. [%]	CAPACITIVE LOAD Max. [μ F]	CASE
DV3M-S8-8-12S05-H	4,5 – 36	5	600	77	1000	SIP 8
DV3M-S8-8-12S12-H		12	250	79	330	
DV3M-S8-8-12S15-H		15	200	79	220	
DV3M-S8-8-12D05-H		± 5	± 300	77	470	
DV3M-S8-8-12D12-H		± 12	± 125	79	220	
DV3M-S8-8-12D15-H		± 15	± 100	79	100	

Note: 1. Nominal Input Voltage: 12Vdc.

INPUT SPECIFICATIONS:

Input Voltage Range.....	12V.....	4,5 – 36V
Input Surge Voltage (1s max.).....	12V.....	50VDC max.
Input Current	Full Load / No-Load Vo 5V / ±5V.....	324mA / 8mA typ.
	Full Load / No-Load Vo others.....	316mA / 8mA typ.
Start-up Voltage		4,5VDC max.
Input Under Voltage Protection.....		3,5VDC typ.
Input Filter		Capacitive

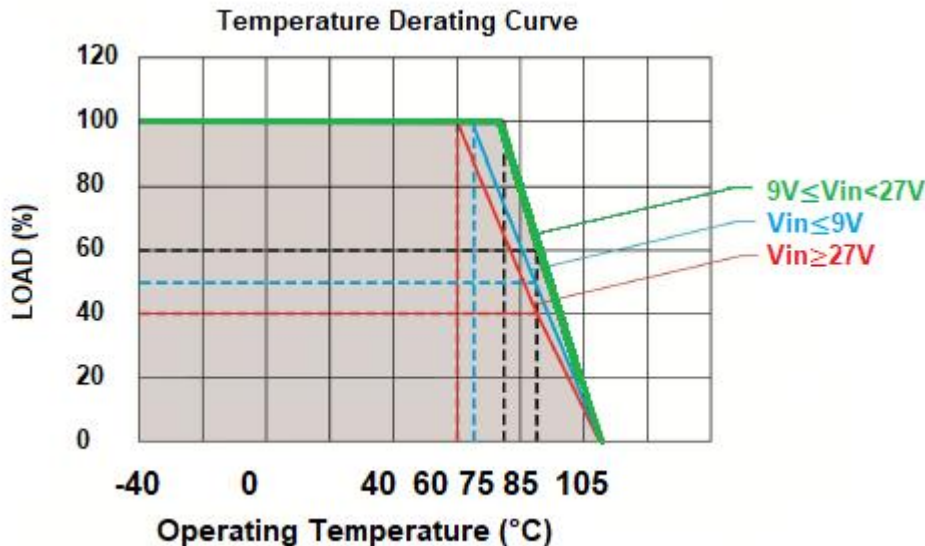
OUTPUT SPECIFICATIONS:

Voltage Accuracy	0% -100% Load.....	±3,0% max.
Transient Recovery Time . 25% load step change, nominal input voltage.....		<500µs max.
Temperature Coefficient.....	Full load.....	0,03%/°C max.
Ripple and Noise, 20 MHz BW	5%-100% Load.....	100mV p-p max.
Short Circuit Protection.....		Continuous, self-recovery
Line Regulation (From Low to High at Full Load)	Vo1.....	±0,5% max.
	Vo2.....	±1,0% max.
Load Regulation (5% -100% Load).....	Vo1.....	±1,0% max.
	Vo2.....	±1,5% max.
Over-Current Protection		300%/Io max.

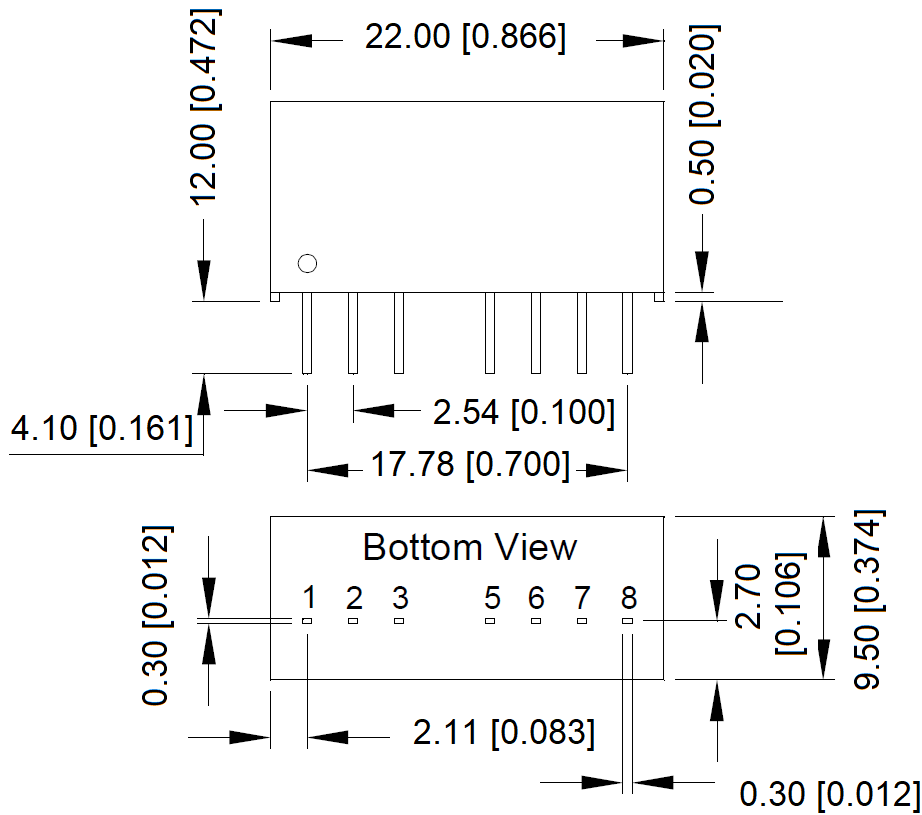
GENERAL SPECIFICATIONS:

Efficiency.....		See Table
Isolation Voltage I/O For 1 minute with a leakage current of 1mA max.....		3000VDC min.
Isolation Resistance	Input-Output insulation at 500VDC.....	1000M ohm min.
Isolation Capacitance	Input-output capacitance at 100KHz/0.1V.....	40pF typ.
Switching Frequency (Full Load)		300KHz typ.
Operating Temperature Range.....		-40°C to +85°C
Derating, above 60°C.....		see Derating Curve
Cooling.....		Natural Convection
Storage Temperature Range		-55°C to +125°C
Humidity		95% RH max. Non condensing
MTBF	MIL-STD-217F.....	1000K hours min.
Standard Safety meet.....		EN62368
Dimensions		22,00 x 9,50 x 12,00 mm
Standard Models		Non-Conductive Black Plastic (UL94 V-0)
Weight.....		4,5g typ.

All Specifications Typical at Nominal Line, Full Load and 25°C. Unless Otherwise Noted



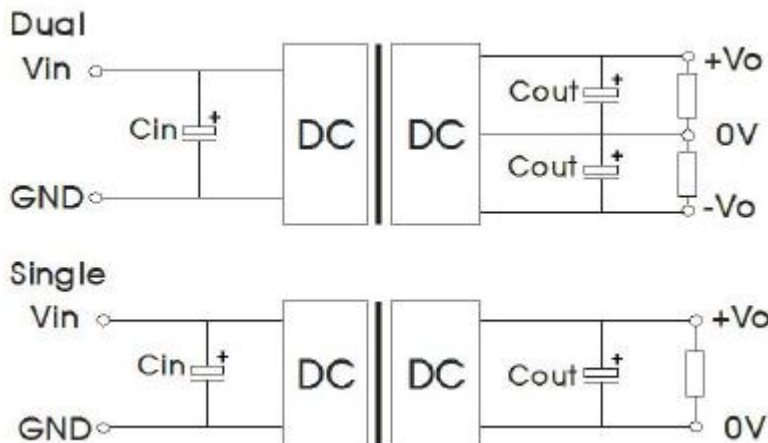
Note:
 All Dimensions in mm (Inches),
 Pin Size ± 0.004 Inches ± 0.10 mm
 Tolerances: Inches ± 0.020
 Millimeters: ± 0.50



Pin	Connection	
	Single	Dual
1	-Vin	-Vin
2	+Vin	+Vin
3	NC	NC
5	NC	NC
6	+Vo	+Vo
7	Common	Common
8	NC	-Vo

*NC-NO CONNECTION (Not available for electrical connection)

Typical Application



Single Output (VDC)	Cout (μ F)	Cin (μ F)
5 / 12 / 15	22 (25V)	100 (50V)
Dual Output (VDC)	Cout (μ F)	Cin (μ F)
± 5 / ± 12 / ± 15	22 (25V)	100 (50V)

Technische Änderungen vorbehalten / Technical change reserved