



# 100 Watt, 3:1 Wide Input DC/DC Converters Series DV100H3-110



## Features

- 100 Watt Isolated Output
- Regulated Outputs
- 3 : 1 Wide Input Range
- Remote On/Off
- Low No Load Input Power
- Shock & Vibration: EN50155 (EN61373)
- Meets UL62368-1 / IEC62368-1
- Efficiency to 89%
- Continuous Short Circuit Protection
- Over Temperature Protection
- Over Voltage/Current Protection
- Industry Standard Half-Brick Package
- EMC: EN50155 (EN50121-3-2) with external filter
- Fire & Smoke meet EN45545-2

MODEL NUMBER	INPUT VOLTAGE [ VDC ]	OUTPUT VOLTAGE [ VDC ]	OUTPUT CURRENT [ A ]	INPUT CURRENT NO LOAD [ mA ]	INPUT CURRENT LOAD [ mA ]	EFF. [ % ]	CAP. LOAD MAX. [ $\mu$ F ]	CASE
DV100H3-110S12	66 – 160	12	8,3	5	1050	86	8300	H
DV100H3-110S15		15	6,7	5	1040	87	4170	
DV100H3-110S24		24	4,17	5	1040	87	4170	
DV100H3-110S48		48	2,08	5	1020	89	1500	

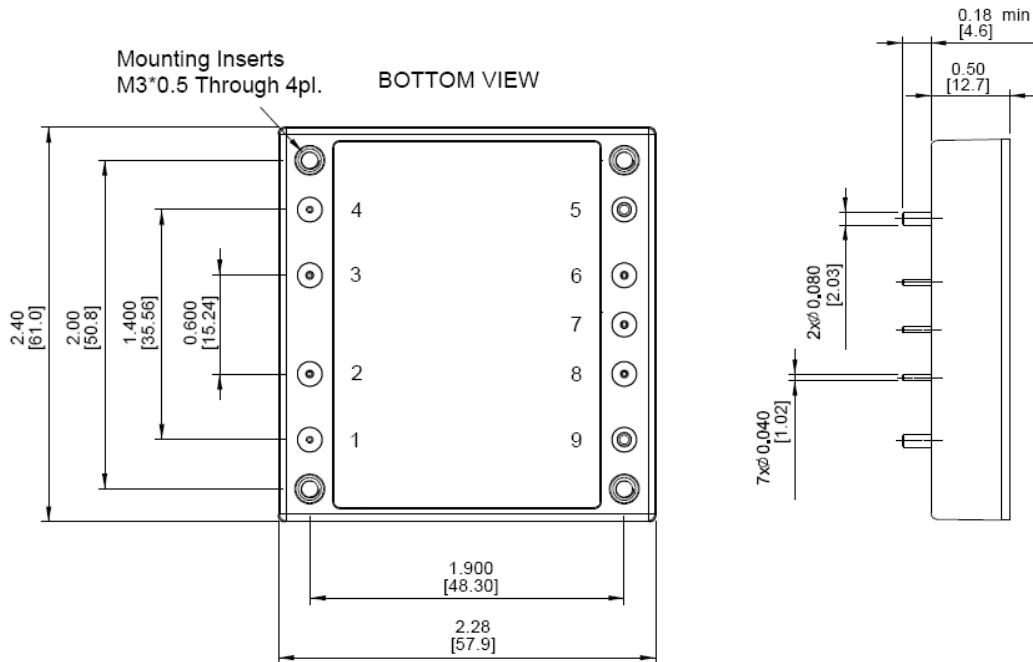
NOTE:

1. Nominal Input Voltage 110 Vdc

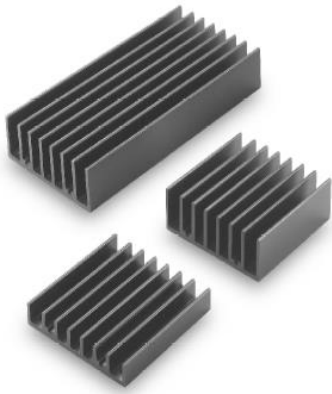


All Dimensions in Inches (mm)

Tolerance	Inches	x.xx±0.02	x.xxx±0.010
	Millimeters	x.x±0.5	x.xx±0.25



PIN CONNECTION	
Pin	Function
1	+V Input
2	Remote ON/OFF
3	No Connection
4	-V Input
5	-V Output
6	-Sense
7	Trim
8	+Sense
9	+V Output



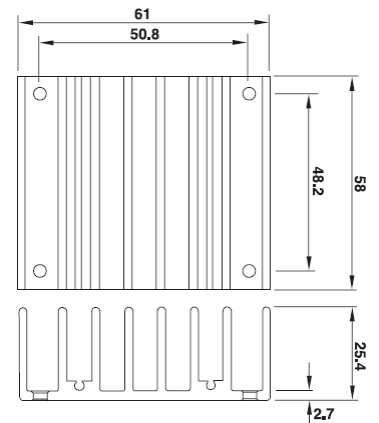
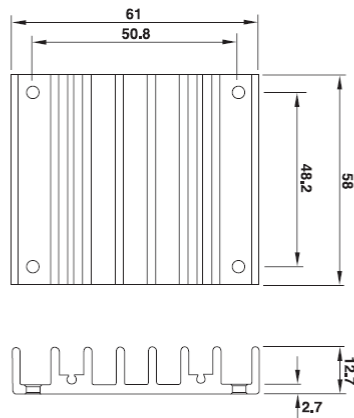
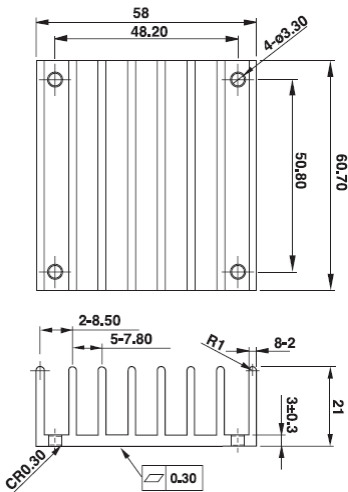
## CASE H: HEAT SINK

**Longitudinal Fins**  
 Order No. 17.079.201  
 Model No. M-C308

**Transverse Fins**  
 Order No. 17.079.202  
 Model No. M-C091

**Transverse Fins**  
 Order No. 17.079.203  
 Model No. M-C092

all dimensions in mm

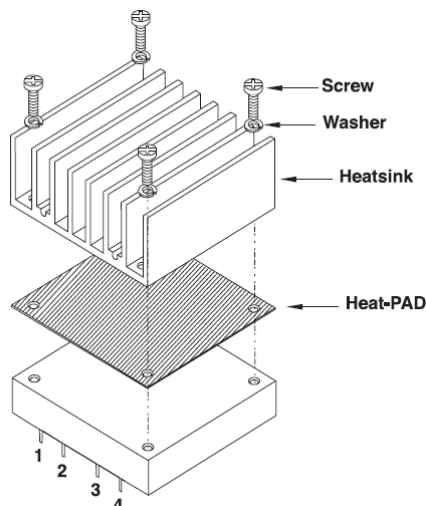


Rca: 3,9°C/W (typ.), At natural convection  
 1,74°C/W (typ.), At 100LFM  
 1,33°C/W (typ.), At 200LFM  
 1,12°C/W (typ.), At 300LFM  
 0,97°C/W (typ.), At 400LFM

Rca: 4,7°C/W (typ.), At natural convection  
 2,89°C/W (typ.), At 100LFM  
 2,30°C/W (typ.), At 200LFM  
 1,88°C/W (typ.), At 300LFM  
 1,59°C/W (typ.), At 400LFM

Rca: 3°C/W (typ.), At natural convection  
 1,44°C/W (typ.), At 100LFM  
 1,17°C/W (typ.), At 200LFM  
 1,04°C/W (typ.), At 300LFM  
 0,95°C/W (typ.), At 400LFM

Heat Sink Assembly  
*example*



Screw SMP+SW M3x8L

Thermal pad SZ56,9x60x0,25